

PFB600W

14" Housing Ceiling Mount Bracket



Features

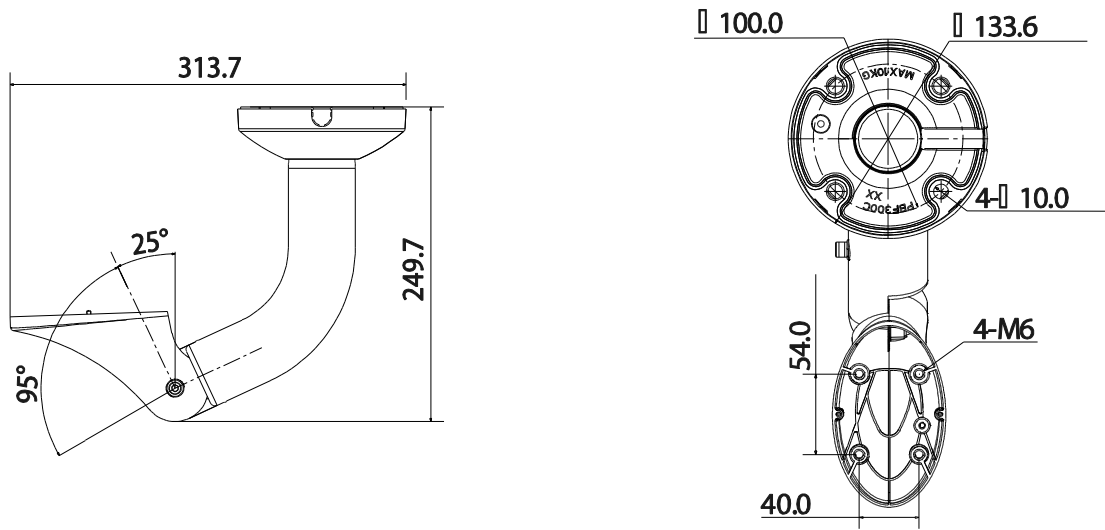
- Material: Aluminum & PC
- Hidden line design
- Neat & Integrated design

Specifications

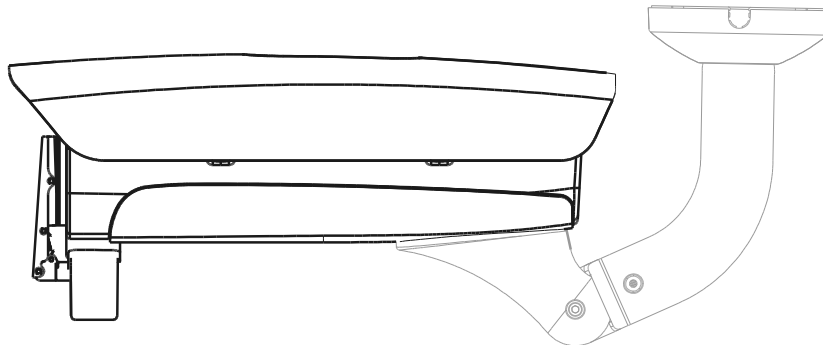
Model	PFB600W
General	
Material	Aluminum & PC
Dimension (W x H x D)	314mm x 250mm x Φ 133mm
Pipe Thread	N/A
Operating Temperature	-40°C ~60°C
Humidity	0~90% RH
Load Bearing	3.0Kg
Weight	0.99Kg
Applicable Model	Please see "Accessory Selection"

PFB600W

Dimensions (mm)



Application



Dahua Technology Co., Ltd.

1199 BinAn Road, Binjiang District, Hangzhou, China

Tel: +86-571-87688883

Fax: +86-571-87688815

Email: overseas@dahuatech.com

www.dahuasecurity.com

*Design and specifications are subject to change without notice.

© 2013 Dahua Technology Co., Ltd.